



BEI | lighting
lighting from the ground up

LED Lighting

Quality products, at the right price.

RYDER (RY)



IP66 rated die cast aluminium LED road lantern with Philips Xitanium driver

APPLICATIONS

- Minor roads
- Residential areas
- Car parks

SPECIFICATION

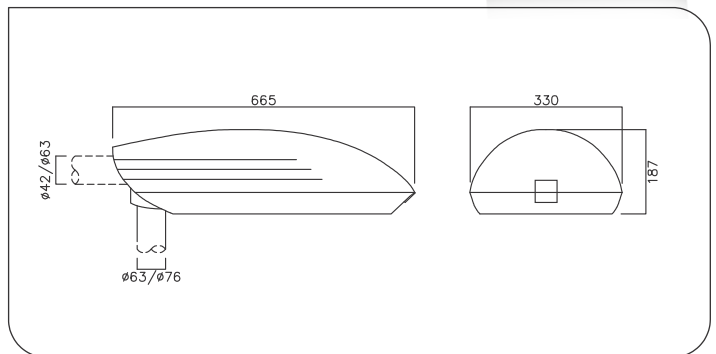
- 59W total power consumption
- 3,300 lumens initial output
- 24 Nichia LEDs, 5100K colour temperature
- Philips Xitanium driver

CONSTRUCTION

- AC3A grade aluminium for corrosion resistance
- Single stainless steel latch closure for easy and tool-free access
- Light engine and gear tray detachable via plug/socket connections
- Supplied complete with 76-63mm spigot adaptor
- Total weight:
 - LED 11.8Kg
 - Windage = 0.13m²

OPTIONS

- Available with NEMA socket base fitted if required. Suffix NEMA
- For alternative wattages and lumen outputs please ask for details
- HID versions will be available. Please check availability before ordering



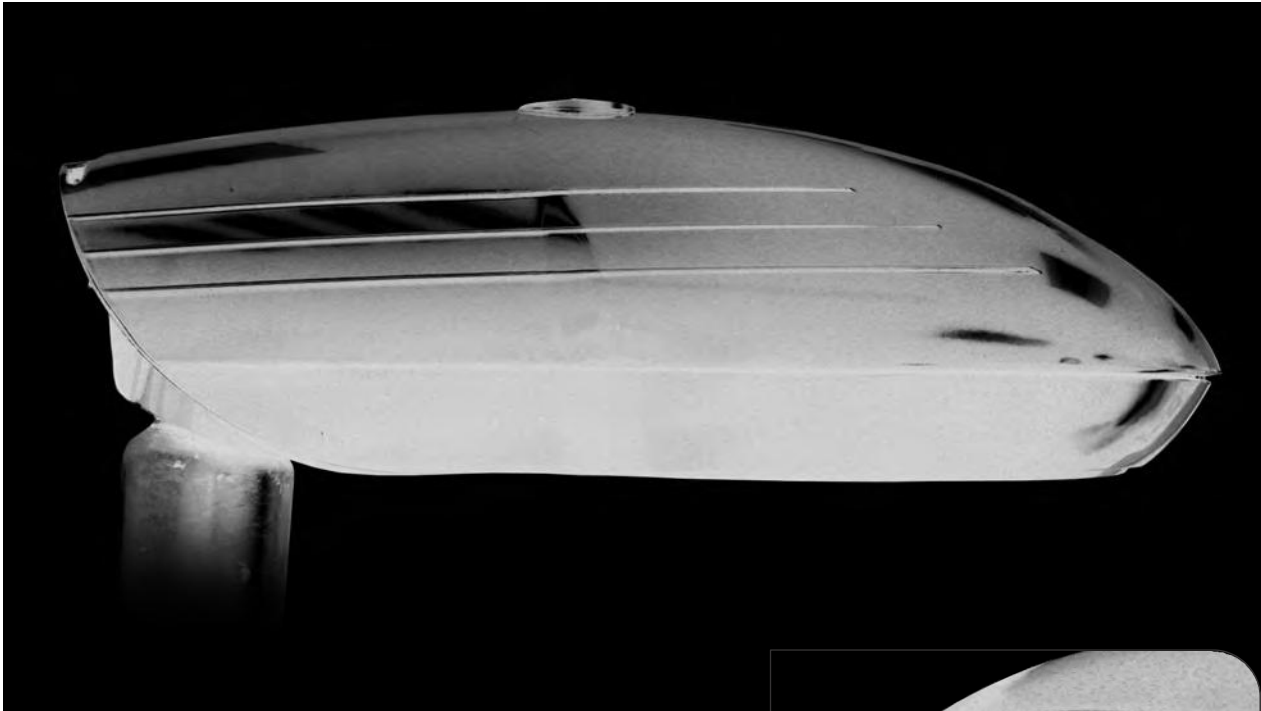
NRY59/LED/751	RYDER 59W LED ROAD LANTERN
	RYDER 59W LED ROAD LANTERN

PHOTOMETRICS

RYDER 59W LED complies with S4 as follows:

- 30m spacing, one side only
- 6m columns
- 9m roadway
- 0.85 maintenance factor

Full photometric data available on request

(RY) **RYDER**

The NVC RYDER has been designed to be easy to install and easy to maintain.

Easy to install:

- Every fitting is supplied complete with a spigot adaptor to suit mountings from 42mm-76mm. See drawing overleaf
- The cover is secured with a single stainless steel clip that can be opened with one hand. No tool required.
- The cover is held open with a sturdy stainless steel support

Easy to maintain:

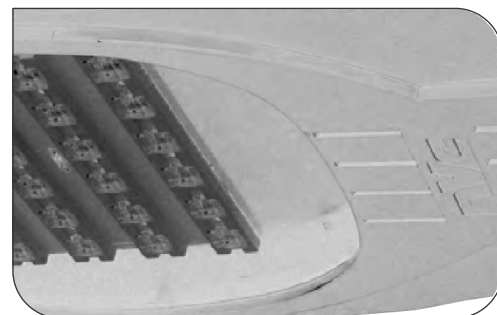
- Safety interlock isolates the fitting from the mains supply when it is opened
- All internal fasteners have a single size socket-head for ease of use in cold, wet and dark conditions
- All serviceable parts are easy to remove:
 - The LED light engine is removable via allen-key bolts and plug/socket connector. If required, light-engines are available as spares
 - The gear tray is removable, being retained on allen-key bolts through key-hole slots with plug/socket connector. Loosen, slide, lift off. Fully assembled gear trays, with female connector, are available as spares.
- A full range of spares is available, including spare glass, connectors, internal fixing bolts etc.



COVER LATCH DETAIL



INTERNAL DETAIL



LED



BEI | lighting
lighting from the ground up

Unit 15 Brackla Industrial Estate
Bridgend Wales CF31 2AN

T: +44 (0)1656 645 414 SALES
F: +44 (0)1656 669 231 SALES

E: sales@beilighting.com

www.beilighting.com