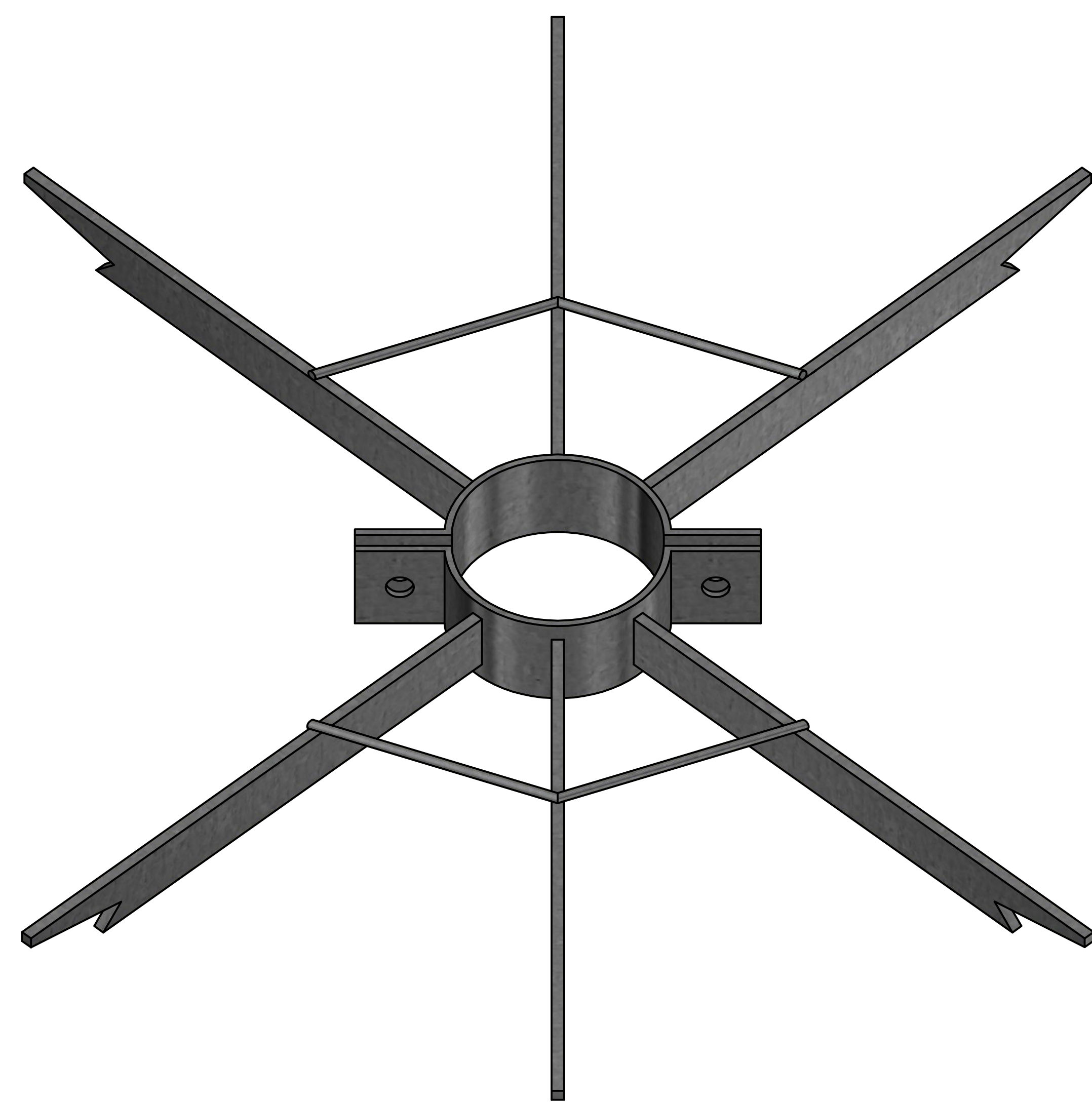
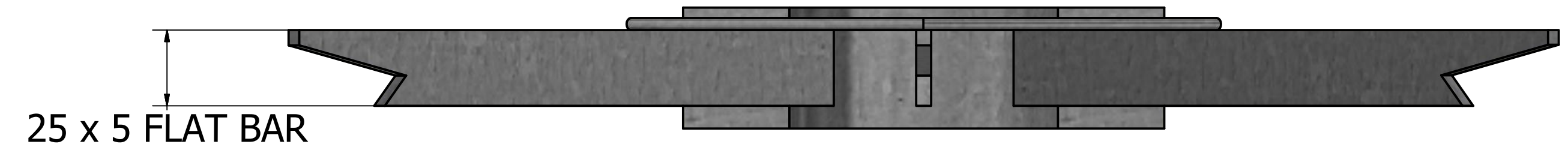
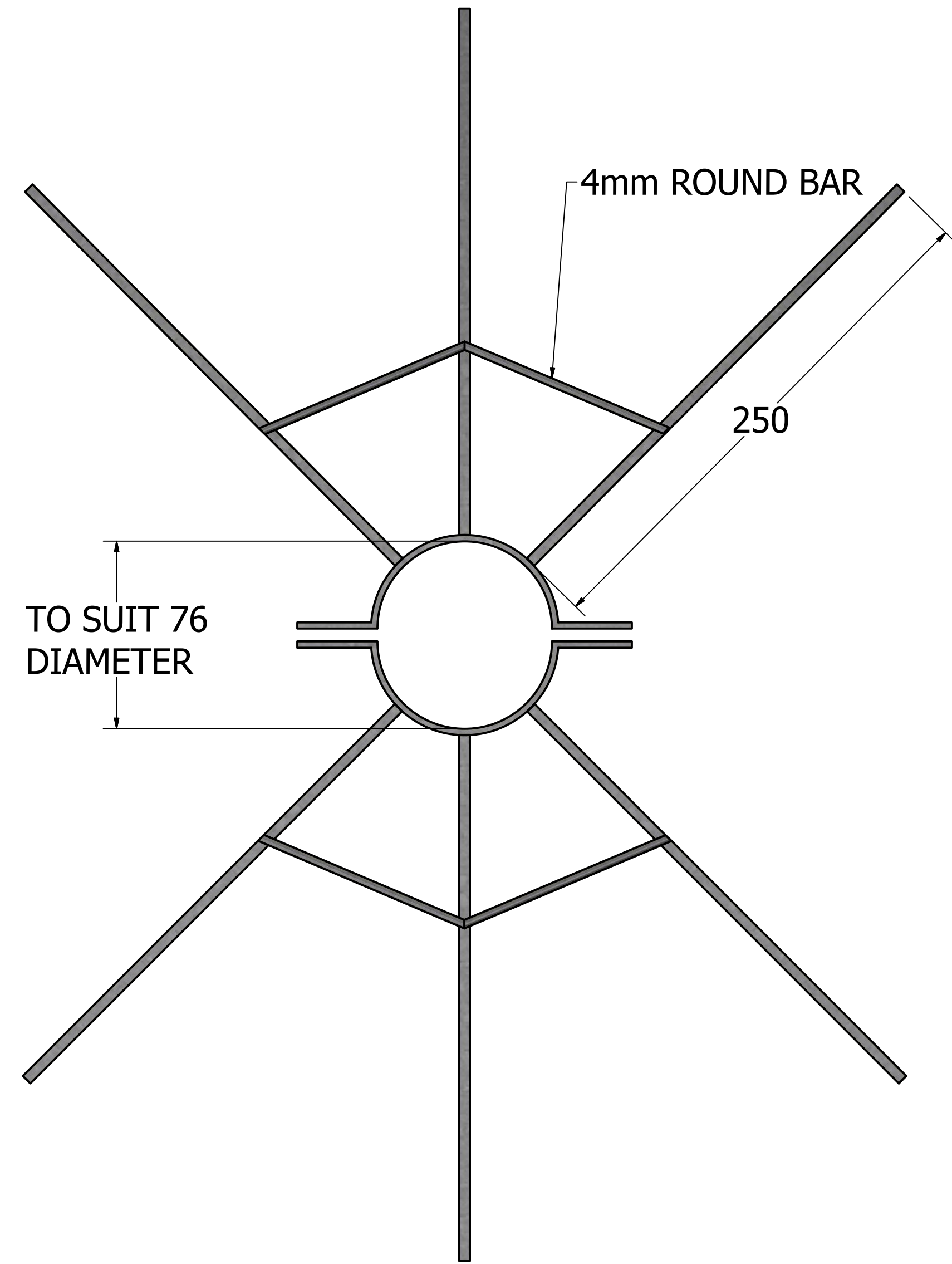


8 7 6 5 4 3 2 1



GENERAL NOTES:
ALL DIMENSIONS IN MILLIMETERS
ALL BURRS AND SHARP EDGES TO BE REMOVED

Copyright
The user may not copy, reproduce, republish, post, broadcast, transmit, make available to the public or otherwise use any BEI Lighting or UK Electric Ltd content contained in this document in any way without our written permission.

BEI LIGHTING
WYNDHAM CLOSE
BRACKLA INDUSTRIAL ESTATE
BRIDGEND CF31 2AN
TEL: 01656 645414
FAX: 01656 669231
EMAIL: sales@beilighting.com
WEB: www.beilighting.com



DRAWN Neil Carter	15/06/2016
CHECKED	
QA	
MFG	
APPROVED	

TITLE ANTI CLIMB BRACKET TO SUIT 76MM COLUMN SHAFTS OR STRAIGHT POSTS	
SIZE D	DWG NO Anti Climb BKT 76mm DIA
SCALE 1 / 2	REV SHEET 1 OF 1

8 7 6 5 4 3 2 1