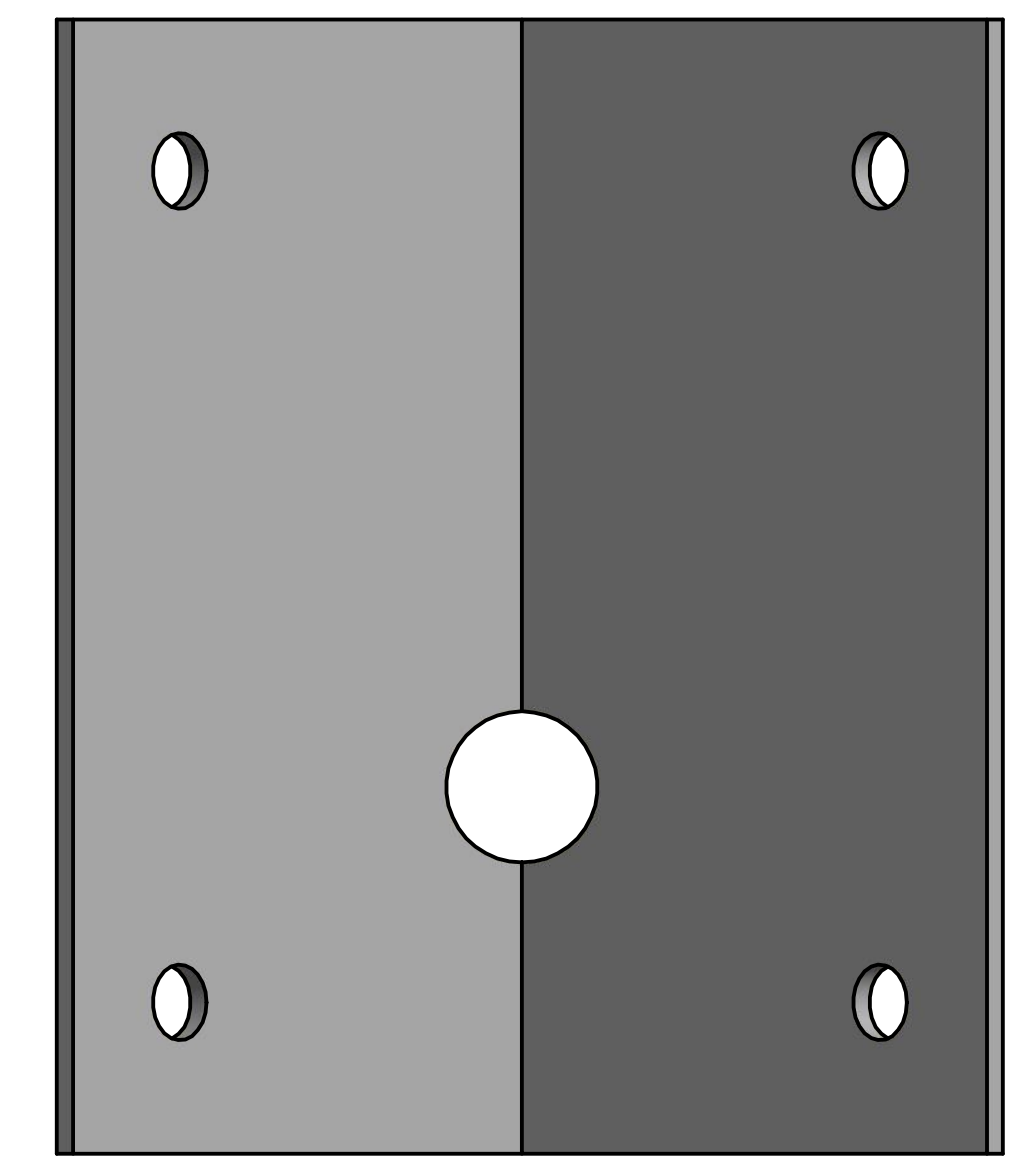
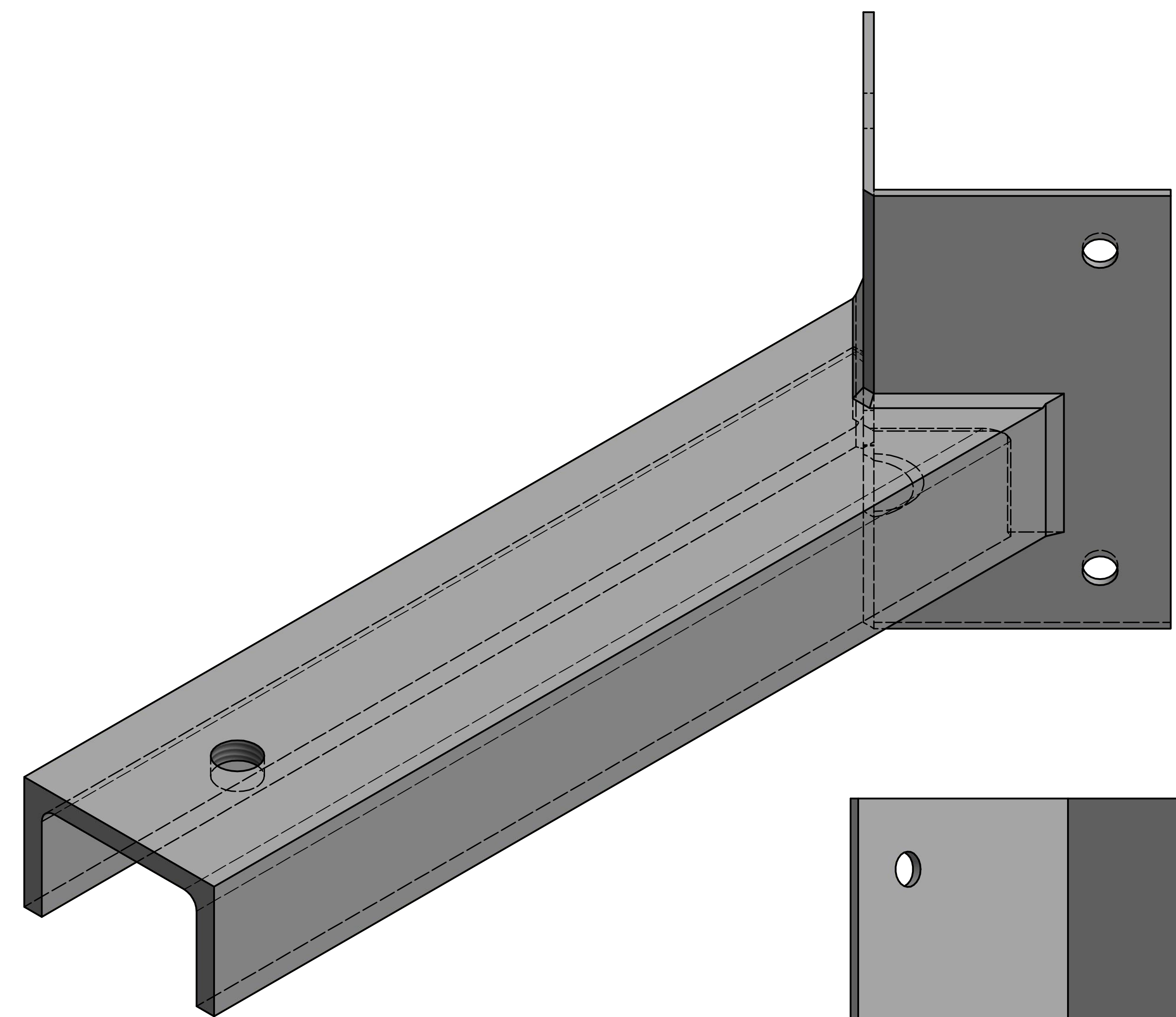
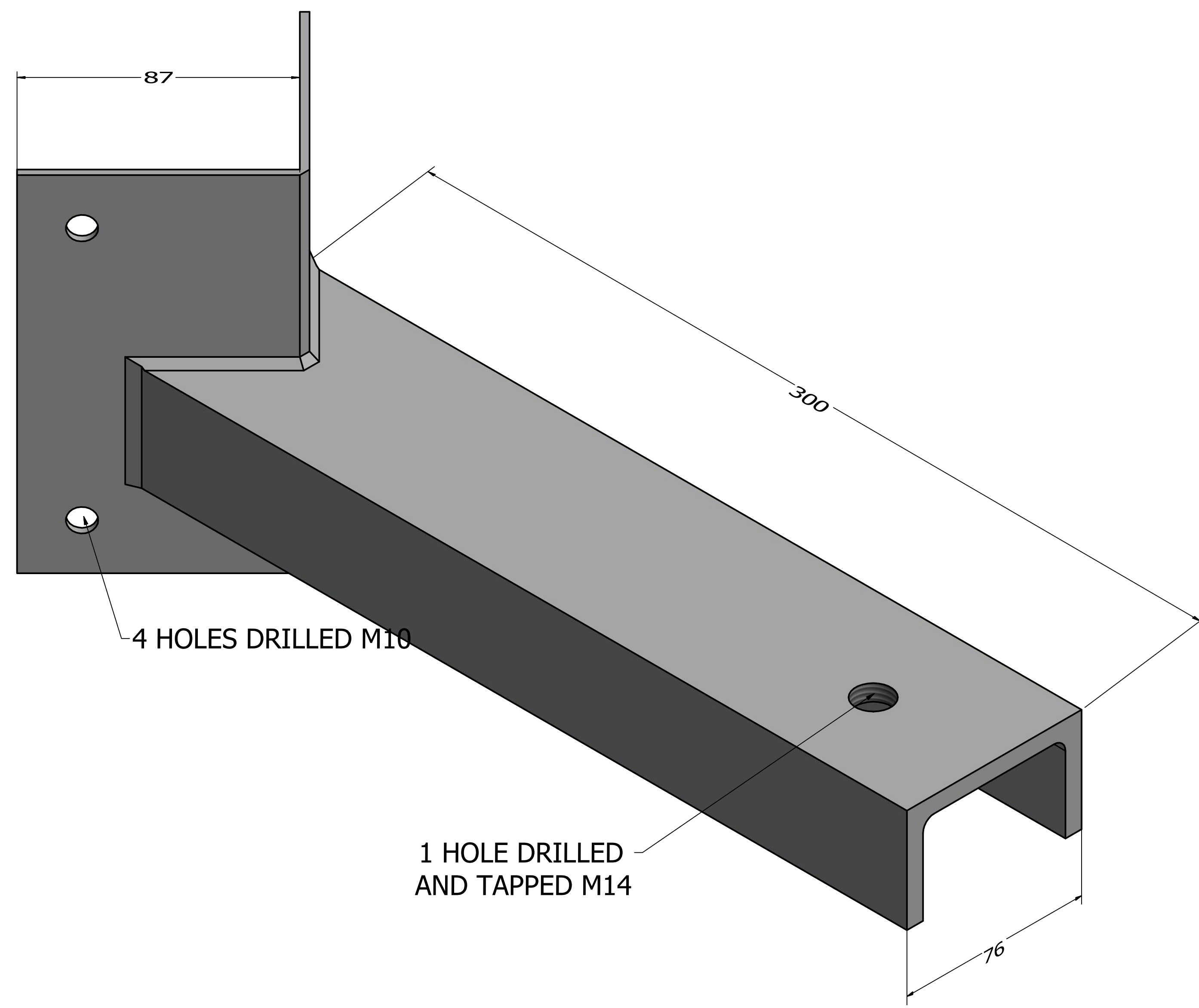


8 7 6 5 4 3 2 1



REAR VIEW

GENERAL NOTES:
 ALL DIMENSIONS IN MILIMETERS
 ALL BURRS AND SHARP EDGES TO BE REMOVED

Copyright
 The user may not copy, reproduce, republish, post, broadcast, transmit, make available to the public or otherwise use any BEI Lighting or UK Electric Ltd content contained in this document in any way without our written permission.

BEI LIGHTING
 WYNDHAM CLOSE
 BRACKLA INDUSTRIAL ESTATE
 BRIDGEND CF31 2AN
 TEL: 01656 645414
 FAX: 01656 669231
 EMAIL: sales@beilighting.com
 WEB: www.beilighting.com



DRAWN	Neil Carter	29/06/2016
CHECKED		
QA		
MFG		
APPROVED		

TITLE		
GALVANISED CORNER WALL SINGLE FLOODLIGHT BRACKET 300MM PROJECTION		
SIZE	DWG NO	REV
D	X1-CWSFLB	
SCALE	1 / 1	
		SHEET 1 OF 1

8 7 6 5 4 3 2 1