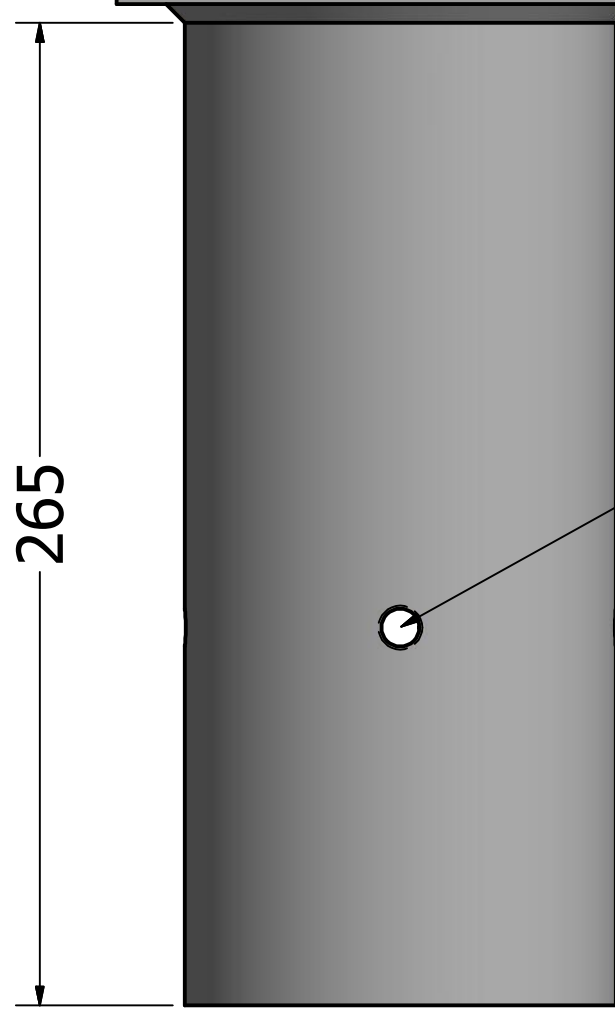
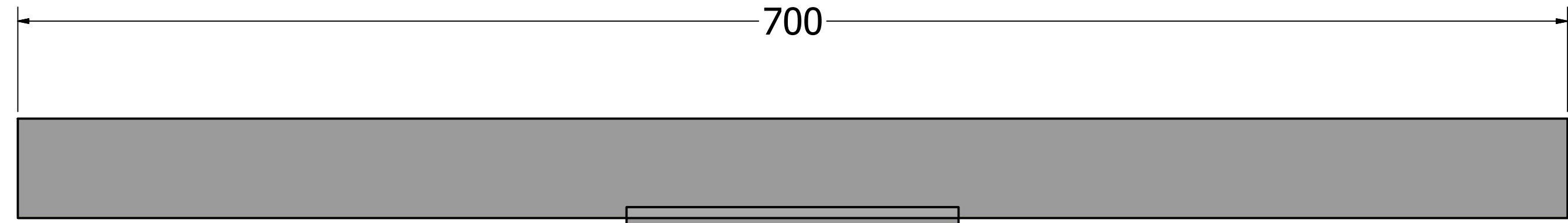
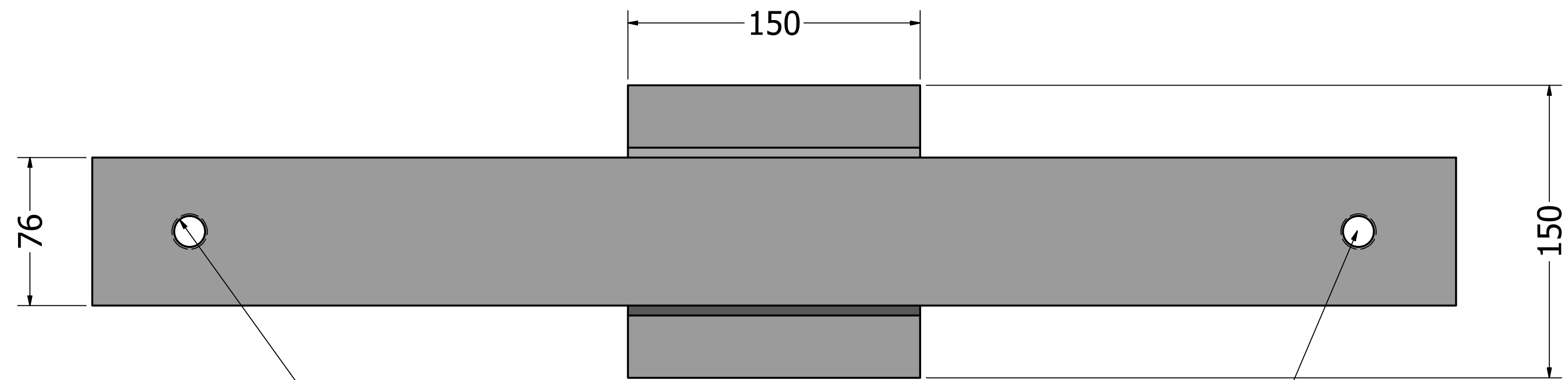


8 7 6 5 4 3 2 1

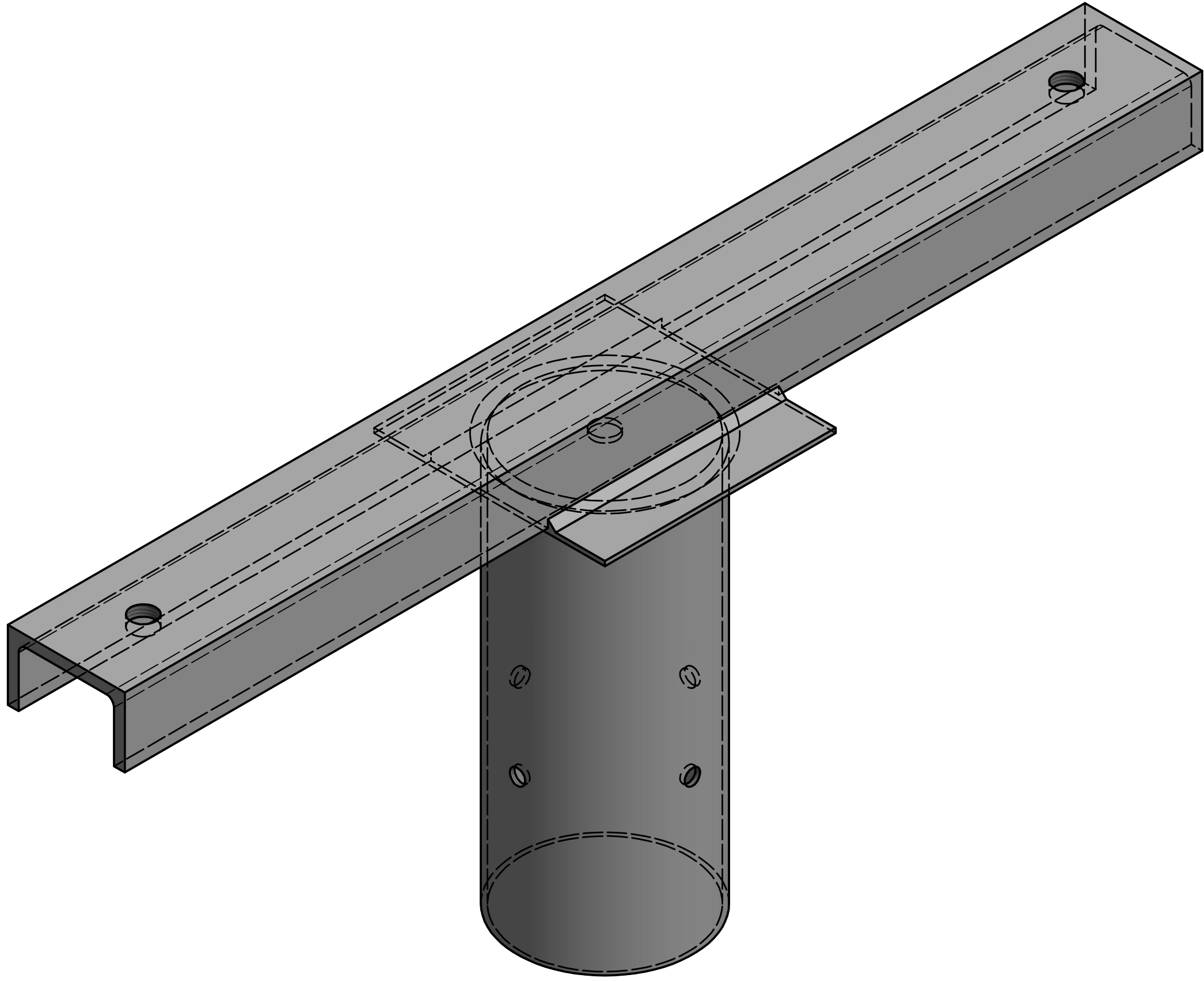


4 HOLES DRILLED AND TAPPED M10

TO SUIT COLUMN



TWO HOLES DRILLED M14



**GENERAL NOTES:**  
 ALL DIMENSIONS IN MILIMETERS  
 ALL BURRS AND SHARP EDGES TO BE REMOVED  
**Copyright**  
 The user may not copy, reproduce, republish, post, broadcast, transmit, make available to the public or otherwise use any BEI Lighting or UK Electric Ltd content contained in this document in any way without our written permission.

BEI LIGHTING  
 WYNDHAM CLOSE  
 BRACKLA INDUSTRIAL ESTATE  
 BRIDGEND CF31 2AN  
 TEL: 01656 645414  
 FAX: 01656 669231  
 EMAIL: sales@beilighting.com  
 WEB: www.beilighting.com

**BEI | lighting**  
 lighting from the ground up

DRAWN Neil Carter	17/06/2016
CHECKED	
QA	
MFG	
APPROVED	
SCALE	1 / 2

TITLE TWIN GALVANISED FLOODLIGHT BRACKET TO SUIT COLUMN	
SIZE D	DWG NO X2-Style Floodlight Bracket
SCALE 1 / 2	REV SHEET 1 OF 1

8 7 6 5 4 3 2 1