

# WALLPACK

IP65 polycarbonate fitting with HID or SON lamps.





**APPLICATIONS**

Commercial and industrial buildings, Perimeter lighting, Pedestrian and vehicular access areas

**SPECIFICATION**

70W SON-EI / HQI-E / 26W & 42W PL

Supplied complete with lamps

- 70W SON-EI - unbranded lamp with integral ignitor, colour 220
- 70W HQI - European brand lamp, colour 740
- PL - European brand lamp, colour 840

PL versions with high frequency control gear

**CONSTRUCTION**

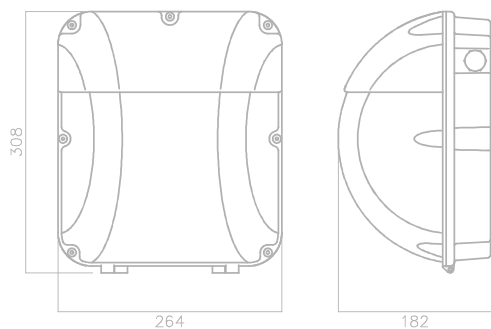
Polycarbonate base, eyelid & controller

Steel gear tray

5

BEI CODE	DESCRIPTION
<b>AWP70H</b>	70W Wallpack HQI
<b>AWP70H/PC</b>	70W Wallpack HQI with Photocell
<b>AWP70S</b>	70W Wallpack SON
<b>AWP70S/PC</b>	70W Wallpack SON with Photocell

OPTIONS	
<b>Emergency</b>	Maintained 3 hours available on all variants
<b>Photo-cell</b>	Dusk/dawn photo-cell available



**SUPPLIED WITH LAMP**

